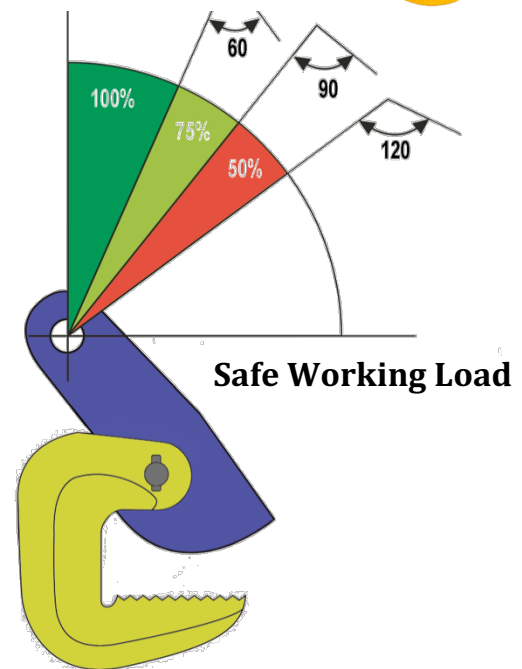
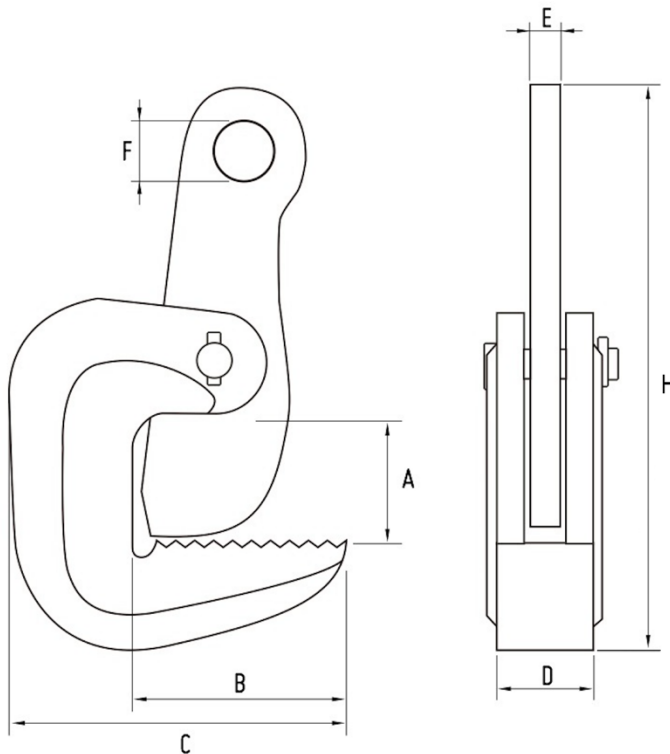




HORIZONTAL PLATE CLAMPS

Key Specifications:

- SIZES BETWEEN 2 – 5 TON
- MEETS ASME B30.20
- FOR LIFTING METAL PLATES



Product Code	Tons	Jaw Opening	A	B	C	D	E	F	H	Weight
HPG-2	2	0" – 1.96"	1.96"	2.5"	4.8"	2.36"	0.7"	0.98"	8.9"	11.46 Lbs.
HPG-3	3	0" – 2.36"	2.36"	3.15"	5.94"	2.56"	0.78"	1.18"	10.3"	16.9 Lbs.
HPG-5	5	0.4" – 3.15"	3.15"	3.74"	6.8"	2.72"	0.86"	1.37"	12.51"	27 Lbs.