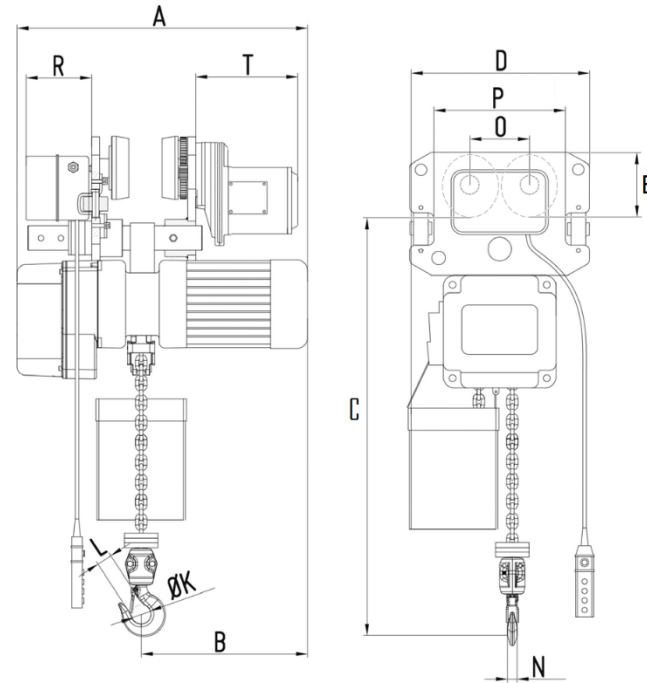




# BISON

## LIFTING EQUIPMENT

### Dual Speed Hoist + Trolley



Product Code	Capacity	Standard Lift Height	Push Button Cord	Lifting Speed	Motor Output	Control Voltage	Lifting Motor Rated Current (amps)		Load Chain Size $\varnothing$	Chain Fall Lines	Trolley Speed	Trolley Output	Trolley Flange Width	Net Weight
	<i>tons</i>	<i>feet</i>	<i>feet</i>	<i>ft/min</i>	<i>hp</i>	<i>Volts</i>	@230v	@460v	<i>mm</i>		<i>ft/min</i>	<i>hp</i>	<i>inches</i>	<i>lbs.</i>
HHBDSK005-01D+WPC005D	1	20	17	23.6 / 7.9	2.01	110	6.5	3.25	$\varnothing$ 8 x 24	1	90 / 32	0.5	3.15-12.00	257.9
HHBDSK01-01D+WPC01D	1	20	17	23.6 / 7.9	2.01	110	6.5	3.25	$\varnothing$ 8 x 24	1	90 / 32	0.5	3.15-12.00	257.9
HHBDSK02-01D+WPC02D	2	20	17	14.4 / 4.6	2.01	110	6.5	3.25	$\varnothing$ 10 x 30	1	80 / 28	0.5	3.23-12.00	321.9
HHBDSK03-01D+WPC03D	3	20	17	24 / 4.8	4.02	110	13	6.5	$\varnothing$ 11.2 x 34	1	64 / 24	0.5	3.94-12.00	478.4
HHBDSK05-02D+WPC05D	5	20	17	7.2 / 2.3	4.02	110	13	6.5	$\varnothing$ 11.2 x 34	2	60 / 21	1	4.33-12.00	615.1

Product Code	Capacity	Headroom (C)	A	B	D	E	K	L	N	O	P	R	T
	<i>tons</i>	<i>inches</i>	<i>inches</i>	<i>inches</i>	<i>inches</i>	<i>inches</i>	<i>inches</i>	<i>inches</i>	<i>inches</i>	<i>inches</i>	<i>inches</i>	<i>inches</i>	<i>inches</i>
HHBDSK005-01D+WPC005D	1	18.11	23.54	12.6	12.25	4.75	1.65	1.26	0.94	4.37	8.11	5.59	9.09
HHBDSK01-01D+WPC01D	1	18.11	23.54	12.6	12.25	4.75	1.65	1.26	0.94	4.37	8.11	5.59	9.09
HHBDSK02-01D+WPC02D	2	22.05	25.51	12.99	12.75	4.75	1.93	1.57	1.18	5	9.33	5.59	9.09
HHBDSK03-01D+WPC03D	3	27.95	31.02	15.55	13.5	5.5	2.32	1.77	1.38	5.51	10.43	5.59	9.09
HHBDSK05-02D+WPC05D	5	37.01	31.02	15.55	15.5	5.5	2.36	1.77	1.69	6.14	11.65	5.59	9.09