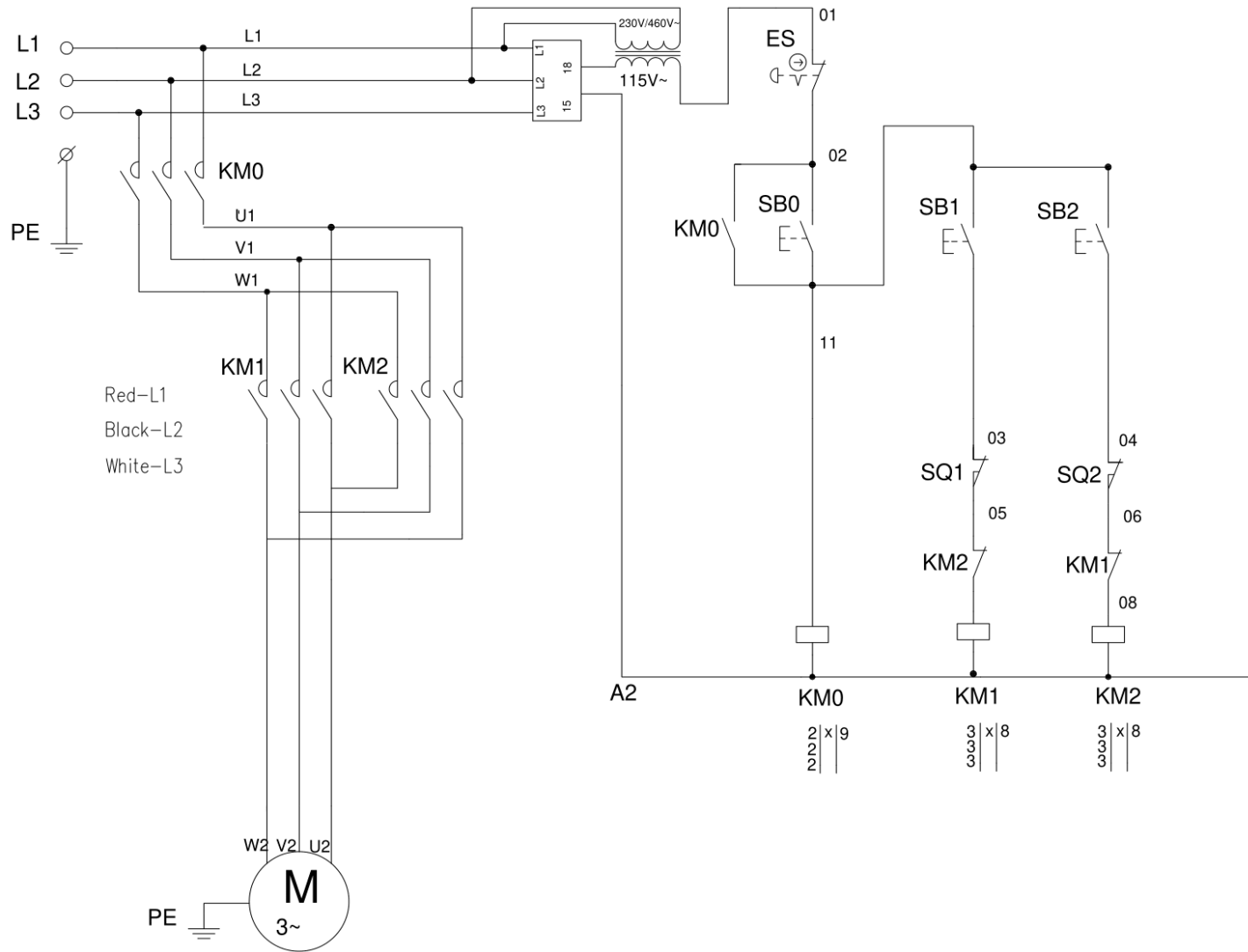


# SINGLE SPEED HOIST

Wiring Diagram. 1; 2; 3 & 5 Ton Models



power in	Main Contactor	Up Contactor	Down Contactor	Phase sequence protector	Transformer	Emergency Stop		Pendant Pushbutton	
							Start	Up	Down



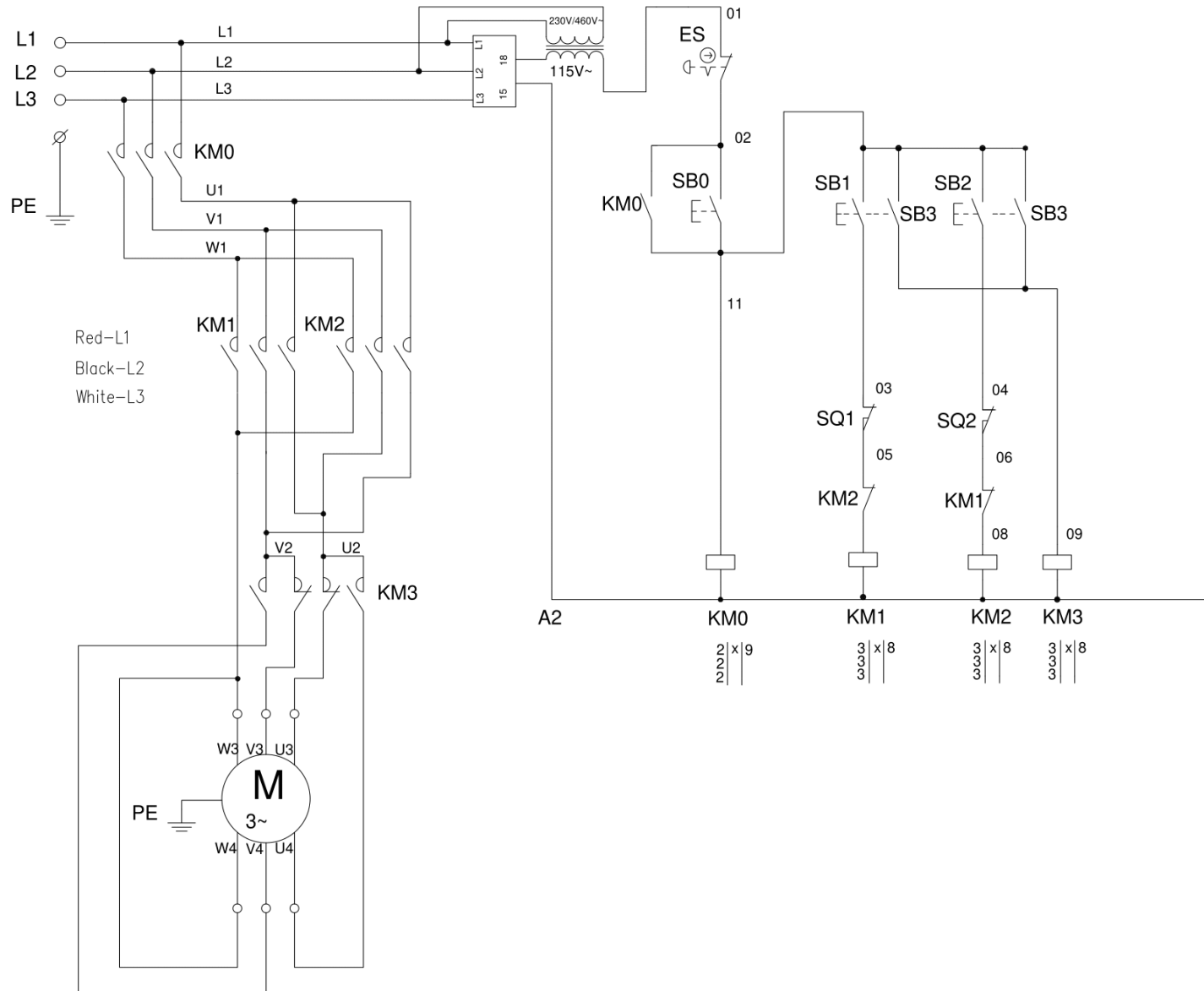
Sign	Name
	Contactor
	Coil
	Normally closed auxiliary contact
	Limit switch
	Emergency stop switch
	Pendant Pushbutton
	Single speed motor
	Transformer
	Phase sequence protector
	Protective Earthing

# DUAL SPEED HOIST

## Wiring Diagram. 1 Ton Model



power in	Main Contactor	Up Contactor	Down Contactor	Phase sequence protector	Transformer	Emergency Stop	Pendant Pushbutton		
		Fast Contactor				Start Pendant Pushbutton	Up	Down	Fast



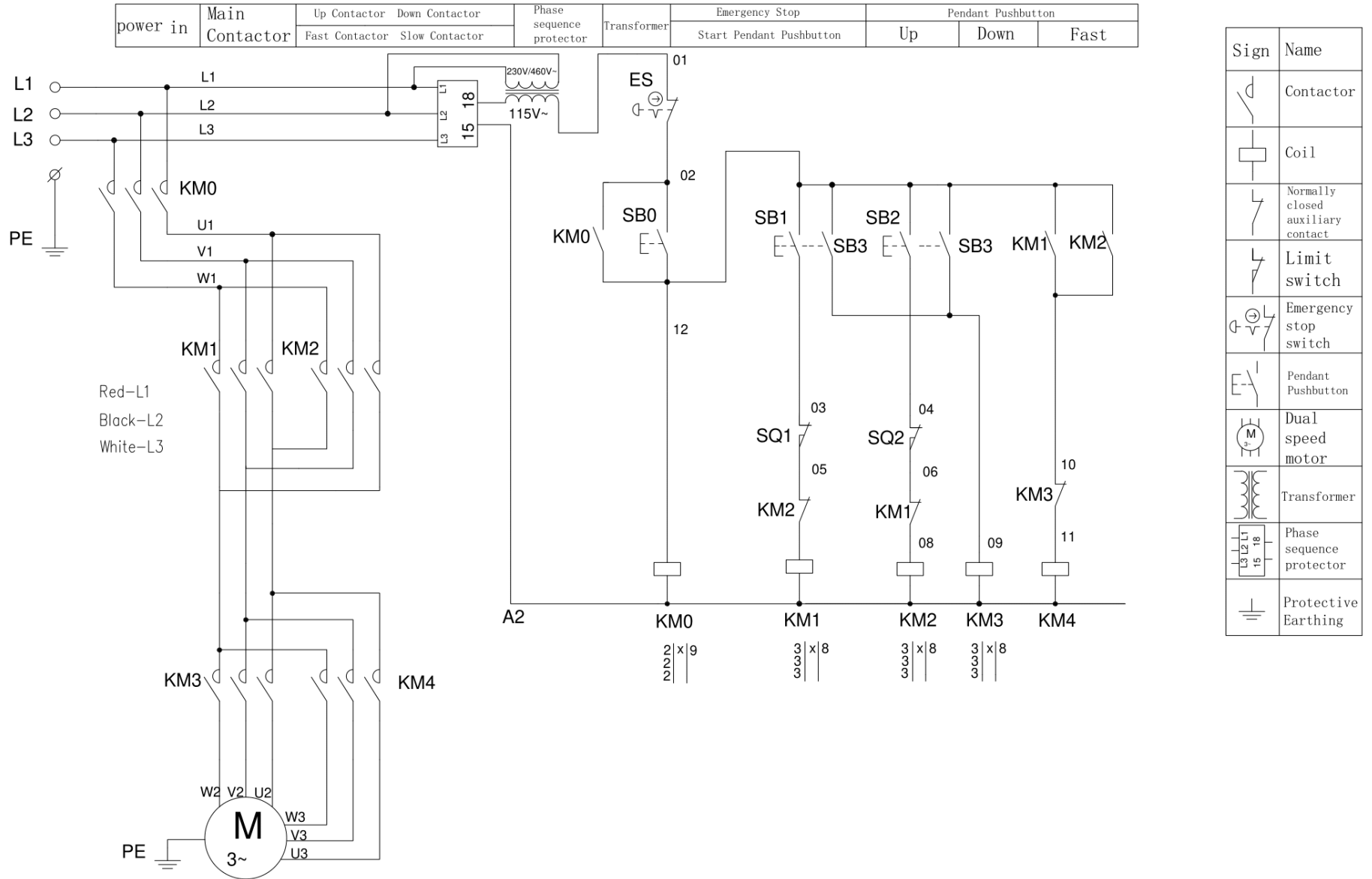
Sign	Name
	Contactor
	Coil
	Normally closed auxiliary contact
	Limit switch
	Emergency stop switch
	Pendant Pushbutton
	Dual speed motor
	Transformer
	Phase sequence protector
	Protective Earthing

# DUAL SPEED HOIST

Wiring Diagram. 2; 3 & 5 Ton Model



**BISON**  
LIFTING EQUIPMENT



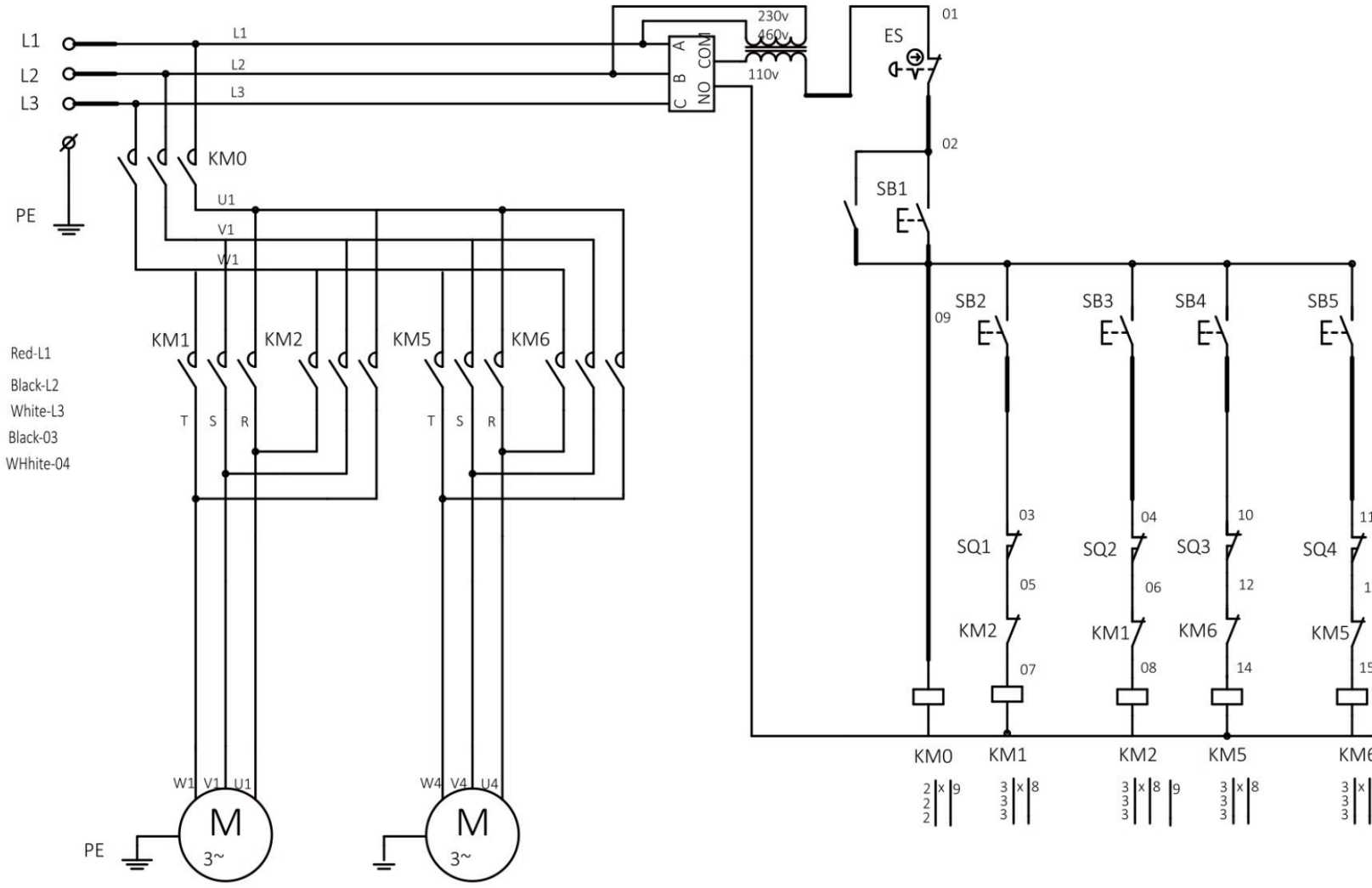
Sign	Name
	Contactor
	Coil
	Normally closed auxiliary contact
	Limit switch
	Emergency stop switch
	Pendant Pushbutton
	Dual speed motor
	Transformer
	Phase sequence protector
	Protective Earthing

# SINGLE SPEED HOIST + TROLLEY

Wiring Diagram. 1; 2; 3 & 5 Ton Models



power in supply	Main power	Electric Chain Hoist		Phase sequence protector	Transformer	Main power supply	control	Forward up	Reversal down	Forward left	Reversal right
		Forward	Reversal								



Sign	Name
	Main contact
	Coil
	Normally closed auxiliary contact
	Limit switch
	Emergency stop switch
	Button switch
	Single speed motor
	Transformer
	Phase sequence protector
	Protective Earthing

# DUAL SPEED HOIST + TROLLEY

Wiring Diagram. 1; 2; 3 & 5 Ton Models



**BISON**  
LIFTING EQUIPMENT

