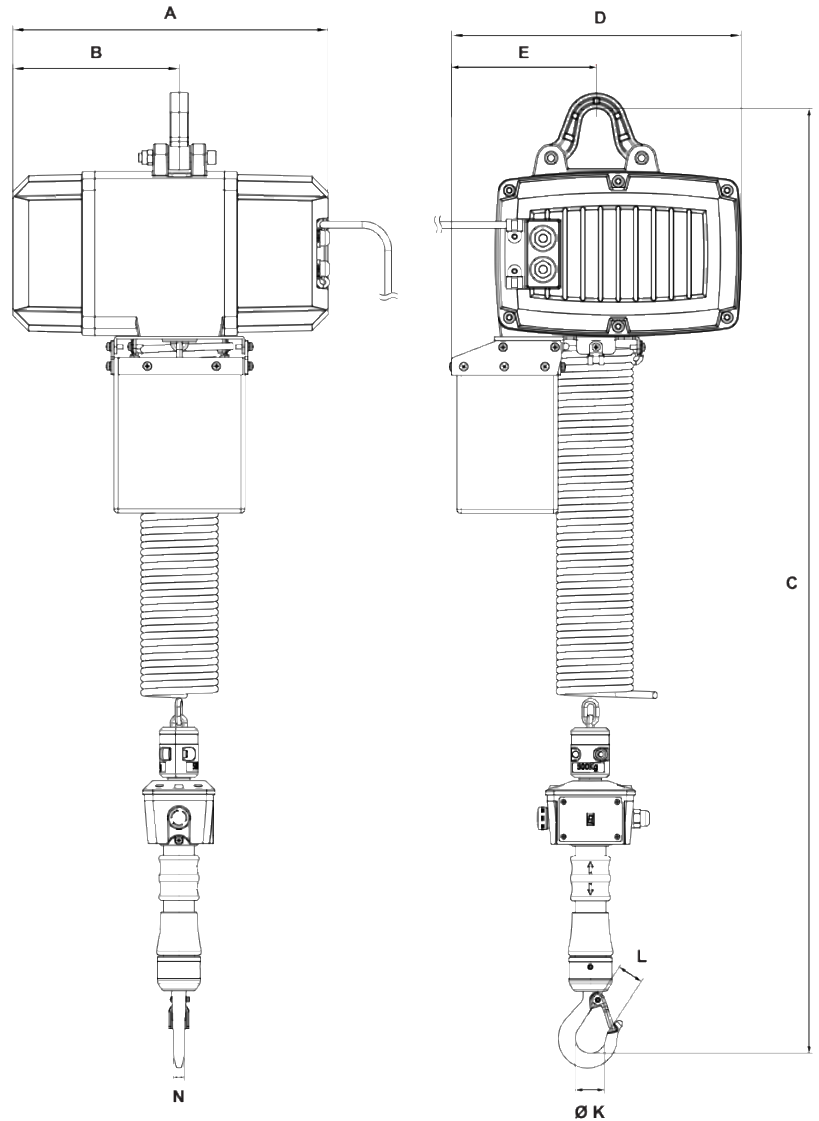


# BXH-040



## 400 POUND VARIABLE SPEED SUSPENSION BAR MOUNTED HOIST WITH IN-LINE CONTROL 1-PHASE 120V



Product Code	Capacity	Standard Lift Height	Push Button Cord	Lifting Speed	Motor Output	Load Chain Size Ø	Chain Fall Lines	Net Weight
	<i>pounds</i>	<i>feet</i>	<i>feet</i>	<i>ft/min</i>	<i>hp</i>	<i>mm</i>		<i>lbs.</i>
BXH-040	400	16'	13'	0-30 Ft/Min	0.6 HP	4 mm	1	33.9

Capacity	Headroom (C)	A	B	D	E	K	L	N	Hoist Current
<i>pounds</i>	<i>inches</i>	<i>inches</i>	<i>inches</i>	<i>inches</i>	<i>inches</i>	<i>inches</i>	<i>inches</i>	<i>inches</i>	120V
400	37	10.24	4.65	9.42	4.52	1.38	1	0.47	7A