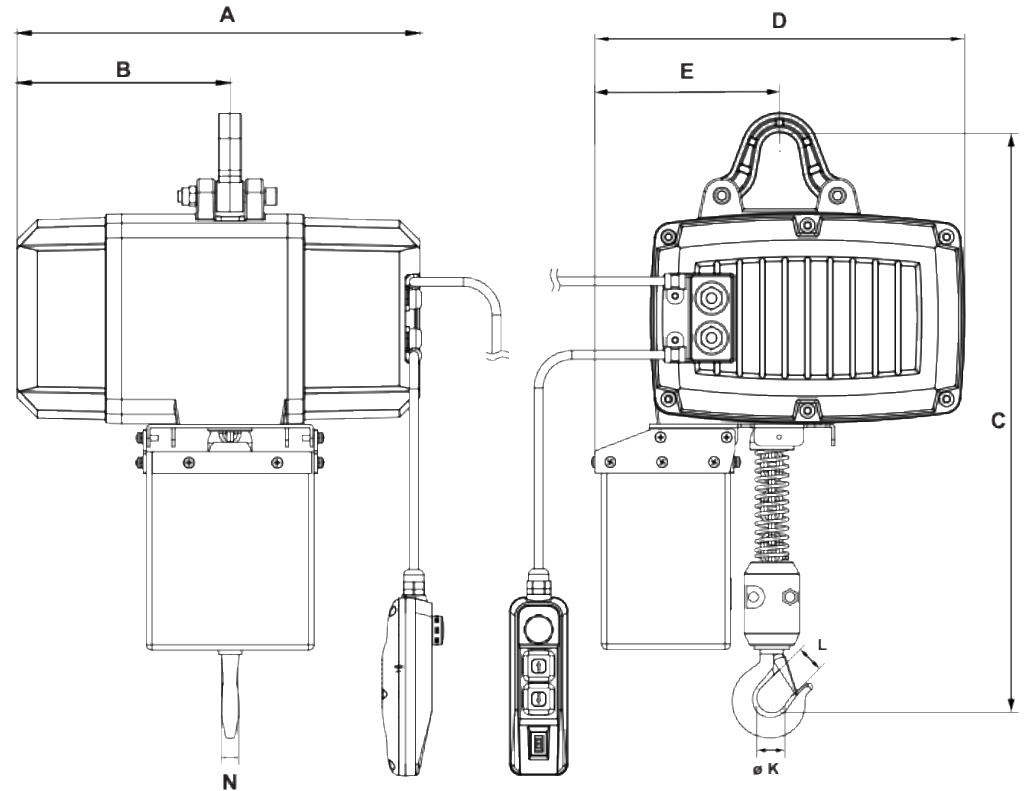


BVH-040



400 POUND VARIABLE SPEED SUSPENSION BAR MOUNTED HOIST 1-PHASE 120V



| Product Code | Capacity | Standard Lift Height | Push Button Cord | Lifting Speed | Motor Output | Load Chain Size Ø | Chain Fall Lines | Net Weight |
|--------------|---------------|----------------------|------------------|---------------|--------------|-------------------|------------------|-------------|
| | <i>pounds</i> | <i>feet</i> | <i>feet</i> | <i>ft/min</i> | <i>hp</i> | <i>mm</i> | | <i>lbs.</i> |
| BVH-040 | 400 | 16 | 13' | 0-30 Ft/Min | 0.6 HP | 4 mm | 1 | 29.5 |

| Product Code | Capacity | Headroom (C) | A | B | D | E | K | L | N | Hoist Current |
|--------------|---------------|---------------|---------------|---------------|---------------|---------------|---------------|---------------|---------------|---------------|
| | <i>pounds</i> | <i>inches</i> | <i>inches</i> | <i>inches</i> | <i>inches</i> | <i>inches</i> | <i>inches</i> | <i>inches</i> | <i>inches</i> | 120V |
| BVH-040 | 400 | 17.3 | 10.24 | 4.65 | 9.42 | 4.52 | 1.38 | 1 | 0.47 | 7A |